

Right Angle Bow & Stern Thrusters

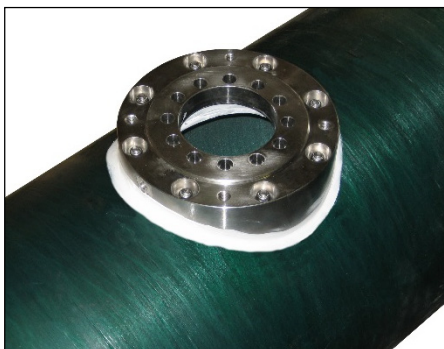
NAIAD[®] Right Angle Thrusters are proven in demanding commercial, military and luxury yacht applications around the world. Either hydraulic motor or AC electric motor drive packages. Thruster gear sets available for both 50 and 60 Hertz applications. Integrated Hydraulic Systems tailored to suit the needs of any vessel.

Thruster Features

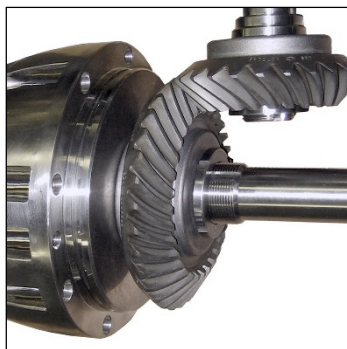
- ✓ Robust, heavy duty, match-ground spiral bevel gears for quiet operation and maximum thrust.
- ✓ CNC manufactured, assembled and tested in our own ISO 9001:2008 certified facility.
- ✓ Available with powerful four-blade Kaplan style propellers, or highly skewed seven-blade propellers for efficient yet quiet operation.
- ✓ Thruster housings in Stainless Steel for fiberglass hulls, Steel for steel hulls and Aluminum for aluminum hulls for the best in marine corrosion resistance.
- ✓ Precision machined saddle provides a solid, leak-proof interface for the thruster housing, and a robust, precise mounting surface for the electric or hydraulic drive motor.
- ✓ Assembly is lubricated via a vented header tank located above the waterline to maintain positive pressure in the thruster. In addition, durable dual seawater shaft seals ensure water-tight integrity and longevity.



Seven Blade Propeller



Stainless steel saddle thru-bolted in GRP tunnel. Saddles of matching material are welded into metal tunnels.



Precision Match Ground Spiral Bevel Gears



Four Blade Kaplan Style Propeller

Specifications

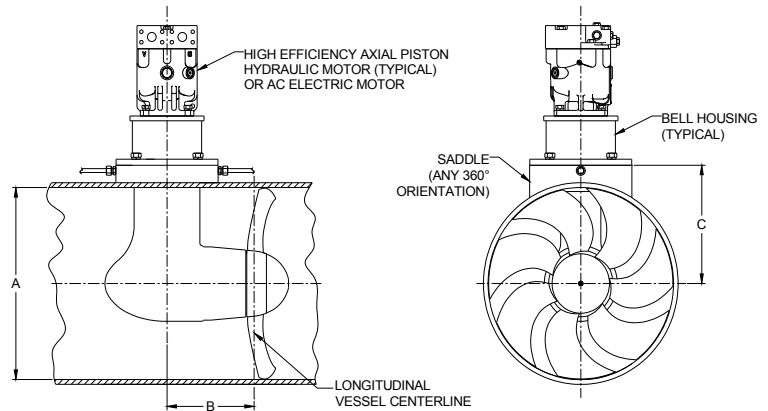
| Model | Tunnel I.D. Inches (mm) | Shaft Power HP (kW) | Propeller Thrust* Pounds (kN) | Drive Options Hydraulic / Electric |
|-------|----------------------------|------------------------|----------------------------------|---------------------------------------|
| 12 | 12 (305) | 30 (22) | 640 (2.85) | Yes / Yes |
| 16 | 16 (406) | 60 (45) | 1280 (5.69) | Yes / Yes |
| 20 | 20 (508) | 80 (60) | 1855 (8.25) | Yes / Yes |
| 24 | 24 (610) | 110 (82) | 2360 (10.50) | Yes / Yes |
| 30 | 30 (762) | 200 (150) | 4390 (19.51) | Yes / Yes |
| 36 | 36 (915) | 300 (215) | 6290 (27.98) | Yes / Yes |

*Actual thrust recorded in a comprehensive in-water test program.

Dimensions

Inches (mm)

| Model | A | B | C |
|-------|----------|------------|-------------|
| 12 | 12 (305) | 7.9 (201) | 7.6 (192) |
| 16 | 16 (406) | 8.5 (215) | 9.6 (242.8) |
| 20 | 20 (508) | 10.1 (256) | 12.3 (313) |
| 24 | 24 (610) | 10.6 (270) | 14.8 (376) |
| 30 | 30 (762) | 18.1 (459) | 20.3 (516) |
| 36 | 36 (915) | 20.4 (518) | 21.5 (545) |



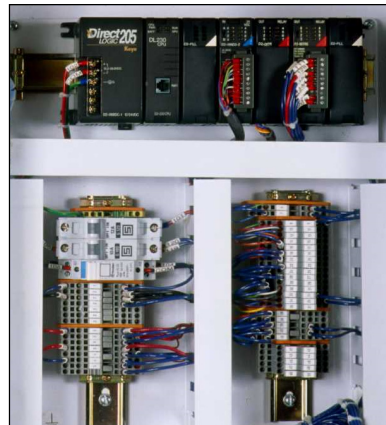
All information is accurate at time of printing. Specifications and dimensions are subject to change due to product improvements.

Reliable Digital Controls

Single-stage or fully variable (proportional) controls. Proportional configuration permits the output of the thruster to be throttled by the operator and features a PLC (Programmable Logic Controller) specifically programmed for the application. Controls are housed in a single, durable enclosure for ease of installation. Easily fitted with numerous joystick controls. Most Naiad thrusters are powered by a Naiad Integrated Hydraulic System (IHS). The PLC is easily configured to control many ancillary hydraulic shipboard systems.



Spring Centered
or Put & Stay



Outstanding Service and Support

Naiad Dynamics stands behind every system sold with its superb Limited Warranty. NAIAD® products are supported worldwide by our six sales and service centers and mobile fleet, and by our comprehensive Authorized Dealer Network with locations in key yachting regions for fastest response and guaranteed satisfaction. Spare parts are usually in-stock and ship within 24 hours, and our state-of-the-art in-house manufacturing facility ensures quick turnaround on parts throughout the life of the system.

NAIAD DYNAMICS US, INC.

Connecticut, USA

T: +1 203 929 6355

F: +1 203 929 3594

Maryland, USA

T: +1 301 690 2010

F: +1 301 690 2187

Florida, USA

T: +1 954 797 7566

F: +1 954 791 0827

NAIAD DYNAMICS UK, LTD

Southampton, England

T: +44 (0) 2392 53 9750

F: +44 (0) 2392 53 9764

NAIAD DYNAMICS HOLLAND, BV

Maastricht, Netherlands

T: +31 (0) 43 604 9200

F: +31 (0) 43 363 6200



www.naiad.com

sales@naiad.com

NAIAD DYNAMICS: The Science of Ship Motion Control®